

# SUNWING® C+

Product description 2015  
**INTERNATIONAL**



## Glatz

Shade in Swiss Quality

# SUNWING® C+



|                          |  |
|--------------------------|--|
| <b>Frame:</b>            | 8 rods made of natural anodized aluminium, with crank mechanism and integrated tilting rod for easy tilting of the shade roof up to 90° on both sides. The pole profile is round, 55 × 5 mm. |
| <b>Framematerial:</b>    | anodized natural   |
| <b>Frameform:</b>        | round or square  |
| <b>Shade cover:</b>      | self-tautening thanks to the flexible rod ends, available in material class 5 (100 % polyacrylic approx. 300 g/m²), material class 4 (100 % polyester approx. 250 g/m²)                      |
| <b>Flounce:</b>          | not available  |
| <b>Protective cover:</b> | included in the standard equipment   |
| <b>easy</b>              |  |
| <b>Framematerial:</b>    | graphite grey powder-coated (RAL 5803 E 90070 A10)   |
| <b>Shade cover:</b>      | available in material class 2 (100 % polyester approx. 220 g/m²)   |
| <b>Fixations:</b>        |  |



SUNWING® C+, Int. Patents reg.

## Nominal size SUNWING® C+

| Size<br>without flounce | Number of rods | Material class 4     | Material class 5     | Order no.<br>Frame<br>anodized natural |
|-------------------------|----------------|----------------------|----------------------|--|
|                         |                | Colours<br>400 – 499 | Colours<br>500 – 699 |  |
| cm                      |                |                      |                      |  |
| ∅ 265**                 | 8 parts        |                      |                      | 055 00 265 171                         |
| ∅ 300                   | 8 parts        |                      |                      | 055 00 300 171                         |
| ∅ 330                   | 8 parts        |                      |                      | 055 00 330 171                         |
| 260 × 260               | 8 parts        |                      |                      | 055 00 261 171                         |

## Nominal size SUNWING® C+ easy

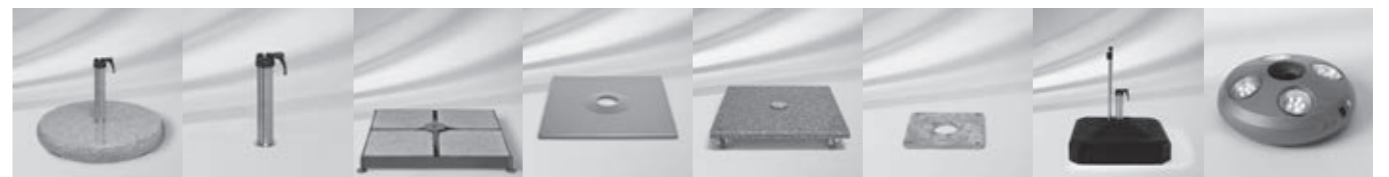
| Size<br>without flounce | Number of rods | Material class 2            | Order no.<br>Frame<br>graphite grey |
|-------------------------|----------------|-----------------------------|-------------------------------------|
|                         |                | Colours<br>150 / 151 / 162* |                                     |
| cm                      |                |                             |                                     |
| ∅ 265**                 | 8 parts        |                             | 055 00 265 321                      |
| ∅ 300                   | 8 parts        |                             | 055 00 300 321                      |
| ∅ 330                   | 8 parts        |                             | 055 00 330 321                      |
| 260 × 260               | 8 parts        |                             | 055 00 261 321                      |

\*while stocks last

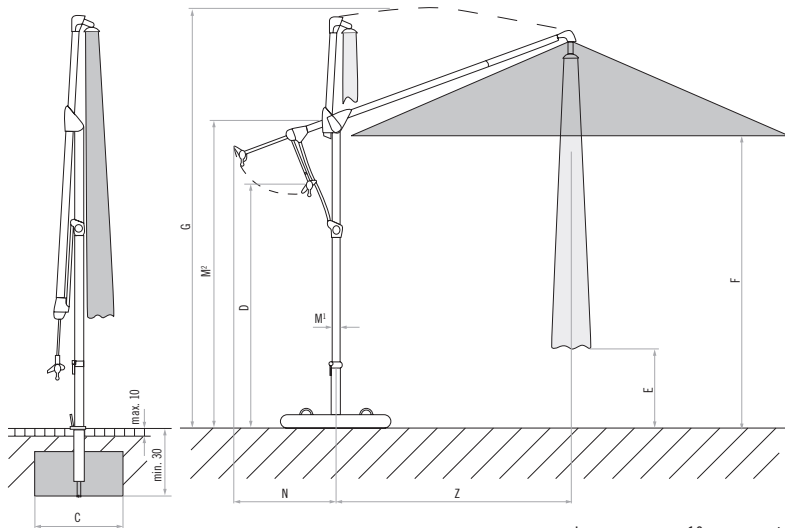
\*\*in stock up to material class 4 only

## Accessories SUNWING® C+

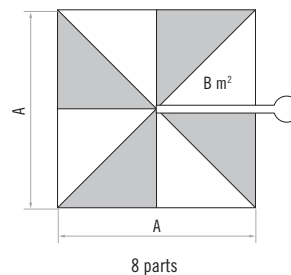
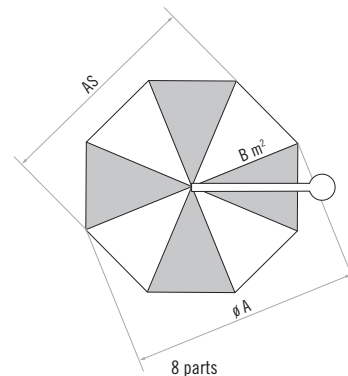
|   | Order no.      |
|---|----------------|
| <b>Fixing option Z</b> (support tube Z required)  |                |
| Concrete base Z, 90 kg, ∅ 75 × 9.5 cm   | 350 01 109 523 |
| Natural granite base Z, 90 kg, ∅ 73 × 9 cm, natural stone   | 350 01 109 512 |
| Support tube Z, ∅ 48 / 55 mm, galvanised steel  | 350 01 201 210 |
| Support tube Z, ∅ 48 / 55 mm, high-grade steel 1.4301 / 304   | 350 01 201 300 |
| <b>***Base with castors</b> (Weight set required)   |                |
| Base frame with castors 100 kg, 74 × 74 × 17 cm, anthracite, with support tube ∅ 48 / 55 mm, high-grade steel 1.4301 / 304 (Base frame ca. 30 kg) | 350 01 102 500 |
| Weight Set, 4 pieces 35001105500, concrete, for base with castors 100 kg (Weight Set ca. 70 kg)   | 350 01 103 500 |
| Protective cover for base with castors 100 kg   | 350 01 602 500 |
| <b>Fixing option PX</b> (support tube PX required)  |                |
| Ground socket PX, galvanised steel  | 350 01 207 001 |
| Ground socket PX, high-grade steel 1.4301 / 304   | 350 01 207 011 |
| Support tube PX, ∅ 48 / 55 mm, galvanised steel   | 350 01 206 001 |
| Support tube PX, ∅ 48 / 55 mm, high-grade steel 1.4301 / 304  | 350 01 206 011 |
| <b>Fixing option M4 / M8</b> (Support tube or Tip-over hinge absolutely required)   |                |
| Mounting plate M4 / M8, 30 × 30 × 1.2 cm, galvanised steel  | 350 01 226 921 |
| <b>Fixing option M4</b> (support tube M4 required)  |                |
| Base M4, 120 kg, (for 8 plates 40 × 40 × 4 cm), 91 × 91 × 11.5 - 15.5 cm, galvanised steel (adjustable and levellable) (price without plates)     | 350 01 108 235 |
| Cover for base M4, 88 × 88 × 5 cm, brushed aluminium (imitation)  | 350 01 100 400 |
| Set of castors for base M4, ∅ 5 cm, H = 5.5 cm, galvanised steel  | 350 01 100 500 |
| ***Granite base M4, 120 kg, 90 × 90 × 17 cm, natural stone with castors   | 350 01 109 470 |
| Ground socket M4, galvanised steel  | 350 01 226 510 |
| *Mounting plate M4, 30 × 30 × 1.2 cm, galvanised steel  | 350 01 226 920 |
| Mounting plate M4 special, for installation height 50 – 149 mm, galvanised steel  | 350 01 226 932 |
| Mounting plate M4 special, for installation height 150 – 350 mm, galvanised steel   | 350 01 226 930 |
| Mounting plate M4 for isolated grounds, installation height made to measure, high-grade steel 1.4301 / 304  | 350 01 229 730 |
| Wall console M4, extension 480 mm, galvanised steel   | 350 01 229 405 |
| Support tube M4, ∅ 48 / 55 mm, galvanised steel   | 350 01 200 035 |
| <b>Slabs for basis M4</b>   |                |
| Slab set, 8 pieces, 40 × 40 × 4 cm, (ca. 110 kg), concrete  | 350 01 226 908 |
| Slab set, 8 pieces, 40 × 40 × 4 cm, (ca. 115 kg), 4 pieces concrete, 4 pieces polished granite  | 350 01 226 909 |
| <b>Protective cover, coated polyester fabric</b>  |                |
| Protective cover with zip and rod   | 350 01 609 976 |
| <b>Miscellaneous items</b>  |                |
| Rechargeable battery light Osyrion 6 for pole ∅ 30 – 50 mm, battery charger with european plug (type C) included (1 accumulator included)         | 350 01 557 950 |
| Rechargeable battery light Osyrion 4 for pole ∅ 30 – 50 mm, battery charger with european plug (type C) included (1 accumulator included)         | 350 01 557 910 |
| Spare accu, 3.6 V, 2500 mAh (for Osyrion 4 & 6)   | 350 01 557 920 |
| Osyrion 4 & 6 adaptor for SUNWING® C+, set of 5 pieces  | 350 01 557 940 |
| *Base transporter for sockets weighing 120 kg, 180 kg, 240 kg, 430 kg and 620 kg  | 350 01 909 000 |
| *while stocks last  |                |
| ***only suitable for smooth, joint free surface coverings   |                |



Granite base Z, 90 kg      Support tube Z, high-grade steel / galvanised steel, ∅ 48 / 55 mm      Base M4, 120 kg / 180 kg, galvanised steel      Cover for base M4      Granite base M4, 120 kg, natural stone with castors      Mounting plate M4, galvanised steel      Base with castors, square, 100 kg      Osyrion 4 accu light



Loose cover max. 10 cm, concrete thickness min. 30 cm (pay attention to frost depth), water outflow



| Nominal size | Lateral distance | Pole $\varnothing$ | Area covered   | Crank height | Height closed | Clear headroom | Total height | Height of pole | Overhang at the back | Length of free-arm | Foundation | Recommended minimum weight for base | max. wind speed open perm. |
|--------------|------------------|--------------------|----------------|--------------|---------------|----------------|--------------|----------------|----------------------|--------------------|------------|-------------------------------------|----------------------------|
| cm           | cm               | cm                 | m <sup>2</sup> | cm           | cm            | cm             | cm           | cm             | cm                   | cm                 | cm         | kg                                  | km/h (wind force)          |
| A            | AS               | M <sup>1</sup>     | B              | D            | E             | F              | G            | M <sup>2</sup> | N                    | Z                  | C          |                                     |                            |
| Ø 265**      | 245              | 5.5                | 5.0            | 165          | 105           | 200            | 290          | 205            | 70                   | 160                | 60 × 60    | 90                                  | 30 (5)                     |
| Ø 300        | 280              | 5.5                | 6.4            | 165          | 85            | 200            | 290          | 205            | 70                   | 160                | 60 × 60    | 90                                  | 30 (5)                     |
| Ø 330        | 305              | 5.5                | 7.7            | 165          | 70            | 200            | 290          | 205            | 70                   | 160                | 60 × 60    | 90                                  | 30 (5)                     |
| 260 × 260    | -                | 5.5                | 6.8            | 165          | 55            | 200            | 290          | 205            | 70                   | 160                | 60 × 60    | 90                                  | 30 (5)                     |

\*\*in stock up to material class 4 only

The listed measures represent extrapolated average values that may be slightly different on the product ( $\pm 2\% \pm 5$  cm).

The measures of the height are determined by the PX ground socket. If one of the offered bases is used, these measures change only slightly.

With the base variant these vary slightly. With the variants with the ground sockets M4 and mounting plate M4 / M8, the stated height dimensions vary by 12 – 13 cm.

The max. wind speed limits as per our separate sheet apply only if the sunshade canopy is in a horizontal position and if there is a fix ground anchorage.

In the presence of several sunshades, the minimum distance between one sunshade and another and between sunshades and walls shall be 20 cm.

Your nearest Glatz representative:

**Glatz**  
Shade in Swiss Quality

