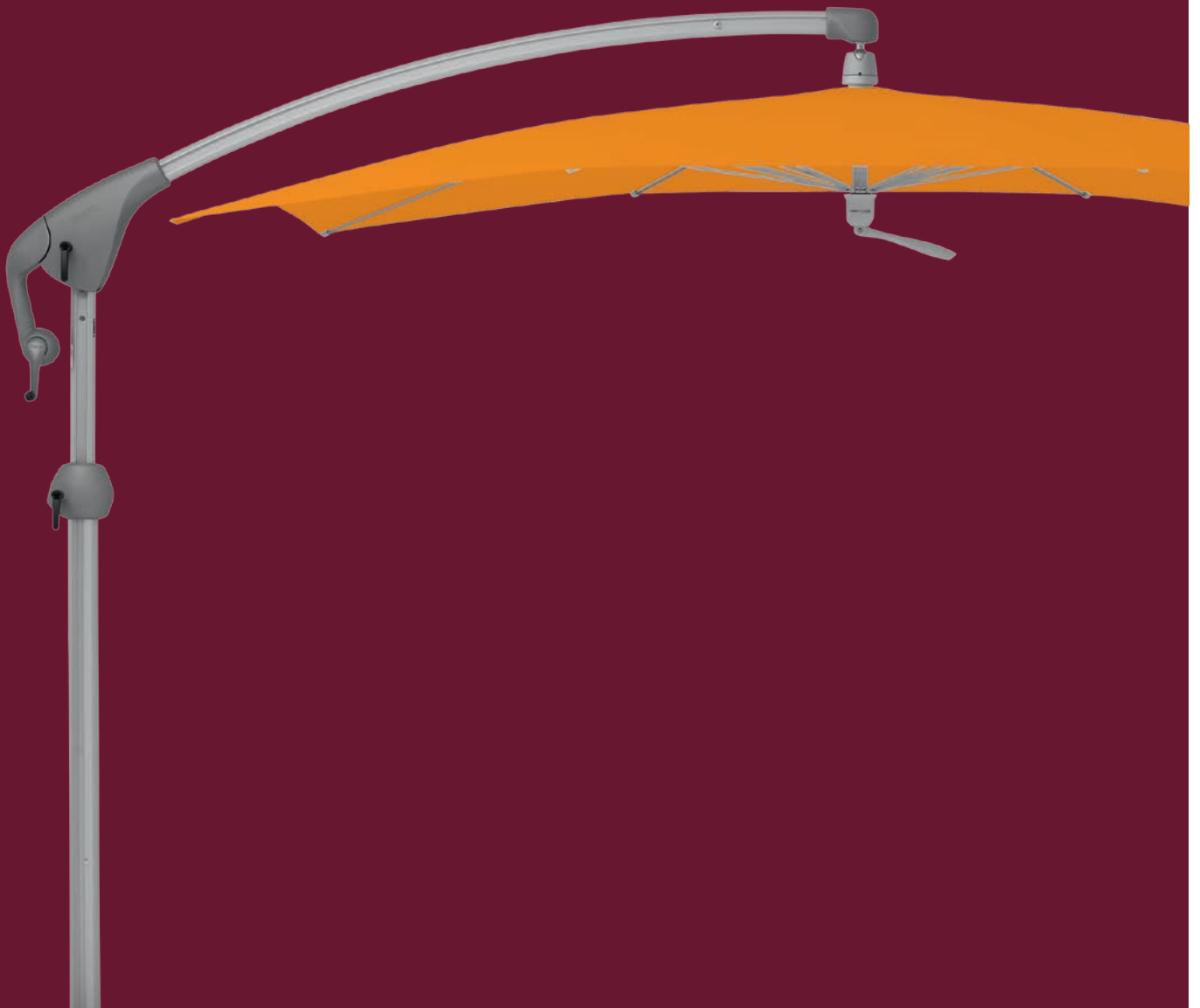


# PENDALEX® P+

Product description 2015  
**INTERNATIONAL**



**Glatz**  
Shade in Swiss Quality

# PENDALEX® P+



- Frame:** Profiled pole (Ø 67 mm), pole and free-arm of aluminium with built-in gas pressure spring (lift 50 cm) for height adjustment, shell parts of fibreglass reinforced TSG synthetic material (thermoplastic foam casting), the guideways are of Teflon-modified high performance plastic, opening crank integrated.
- Shade roof:** 10 rods of galvanized tempered spring steel, light grey, hard anodized aluminium ball-and-socket joint for canopy inclination in all directions.
- Framematerial:** anodized natural or anthracite powder-coated (RAL 5803 E71387 A10)
- Frameform:** round or rectangular
- Shade cover:** available in the material class 5 (100 % polyacrylic abt. 300 g/m<sup>2</sup>) or in material class 4 (100 % polyester abt. 250 g/m<sup>2</sup>)
- Flounce:** available with or without flounce
- Protective cover:** included in the standard equipment

**Fixations:**

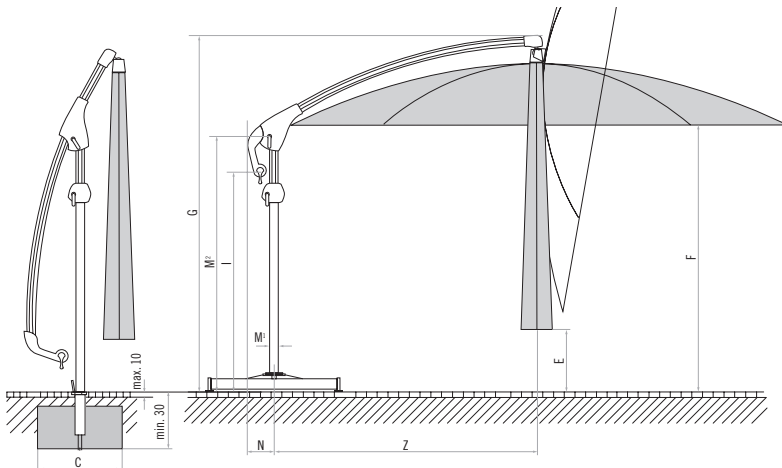


PENDALEX® P+, Int. Patents reg. © Int. Design reg.

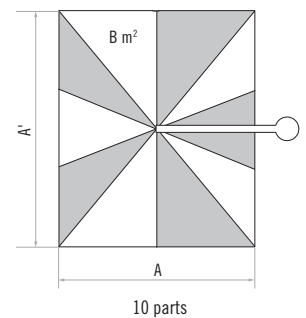
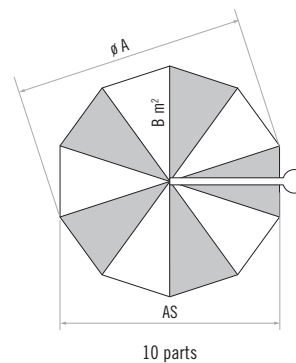
## Nominal size PENDALEX® P+

Size without flounce	Number of rods	Material class 4	Material class 5	Order no.	Order no.
		Colours 400 – 499	Colours 500 – 699	Frame anodized natural	Frame anthracite
cm					
Ø 300	10 parts			014 00 300 171	014 00 300 301
Ø 325	10 parts			014 00 325 171	014 00 325 301
Ø 350	10 parts			014 00 350 171	014 00 350 301
285 × 230	10 parts			014 00 285 171	014 00 285 301

Size with flounce	Number of rods	Material class 5	Order no.	Order no.
		Colours 500 – 699	Frame anodized natural	Frame anthracite
cm				
Ø 300	10 parts		014 00 300 170	014 00 300 300
Ø 325	10 parts		014 00 325 170	014 00 325 300
Ø 350	10 parts		014 00 350 170	014 00 350 300
285 × 230	10 parts		014 00 285 170	014 00 285 300



Loose cover max. 10 cm, concrete thickness min. 30 cm  
(pay attention to frost depth), water outflow



**Accessories PENDALEX® P+**

Order no.

<b>Fixing option Z (support tube Z required)</b>	
Concrete base Z, 90 kg, Ø 75 × 9.5 cm	350 01 109 523
Natural granite base Z, 90 kg, Ø 73 × 9 cm, natural stone	350 01 109 512
Support tube Z, P+, galvanised steel	350 01 201 400
Support tube Z, P+, high-grade steel 1.4301 / 304	350 01 201 500
<b>**Base with castors (Weight set required)</b>	
Base frame with castors 150 kg, M4 Ø 88 × 17 cm, anthracite (support tube M4 compulsory)	350 01 102 700
Weights set, 4 pieces 35001105600, cement, for base with castors 150 kg, (weight set approx. 99 kg)	350 01 103 600
Protective cover for base with castors 150 kg	350 01 602 600
<b>Fixing option PX (support tube PX required)</b>	
Ground socket PX, galvanised steel	350 01 207 001
Ground socket PX, high-grade steel 1.4301 / 304	350 01 207 011
Support tube PX, P+, galvanised steel	350 01 206 050
Support tube PX, P+, high-grade steel 1.4301 / 304	350 01 206 020
<b>Fixing option M4 / M8 (Support tube or Tip-over hinge absolutely required)</b>	
Mounting plate M4 / M8, 30 × 30 × 1.2 cm, galvanised steel	350 01 226 921
<b>Fixing option M4 (support tube M4 required)</b>	
Base M4, 120 kg, (for 8 plates 40 × 40 × 4 cm), 91 × 91 × 11.5 - 15.5 cm, galvanised steel (adjustable and levellable) (price without plates)	350 01 108 235
Cover for base M4, 88 × 88 × 5 cm, brushed aluminium (imitation)	350 01 100 400
Set of castors for base M4, Ø 5 cm, H = 5.5 cm, galvanised steel	350 01 100 500
**Granite base M4, 120 kg, 90 × 90 × 17 cm, natural stone with castors	350 01 109 470
Ground socket M4, galvanised steel	350 01 226 510
*Mounting plate M4, 30 × 30 × 1.2 cm, galvanised steel	350 01 226 920
Mounting plate M4 special, for installation height 50 – 149 mm, galvanised steel	350 01 226 932
Mounting plate M4 special, for installation height 150 – 350 mm, galvanised steel	350 01 226 930
Mounting plate M4 for isolated grounds, installation height made to measure, high-grade steel 1.4301 / 304	350 01 229 730
Wall console M4, extension 480 mm, galvanised steel	350 01 229 405
Wall console M4, extension 100 mm, galvanised steel	350 01 229 410
*Support tube M4, P+, steel graphite grey	350 01 200 232
Support tube M4, P+, galvanised steel	350 01 200 235
<b>Slabs for basis M4</b>	
Slab set, 8 pieces, 40 × 40 × 4 cm, (ca. 110 kg), concrete	350 01 226 908
Slab set, 8 pieces, 40 × 40 × 4 cm, (ca. 115 kg), 4 pieces concrete, 4 pieces polished granite	350 01 226 909
<b>Protective cover, coated polyester fabric</b>	
Protective cover with zip and rod	350 01 609 930
<b>Miscellaneous items</b>	
Rechargeable battery light Osyrion 6 for pole Ø 30 – 50 mm, battery charger with european plug (type C) included (1 accumulator included)	350 01 557 950
Rechargeable battery light Osyrion 4 for pole Ø 30 – 50 mm, battery charger with european plug (type C) included (1 accumulator included)	350 01 557 910
Spare accu, 3.6 V, 2500 mAh (for Osyrion 4 & 6)	350 01 557 920
*Base transporter for sockets weighing 120 kg, 180 kg, 240 kg, 430 kg and 620 kg	350 01 909 000

\*while stocks last

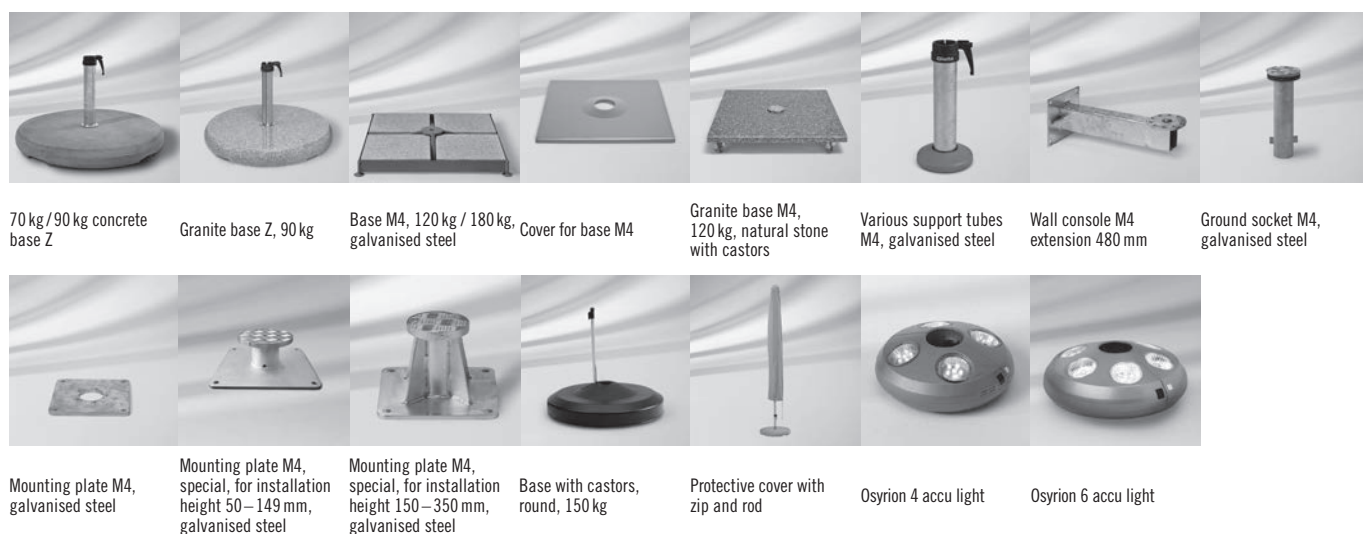
\*\*only suitable for smooth, joint free surface coverings

Nominal size	Lateral distance	Pole Ø	Area covered	Crank height	Height closed	Clear headroom	Total height	Height of pole	Overhang at the back	Length of free-arm	Foundation	Recommended minimum weight for base	max. wind speed open perm.
cm	cm	cm	m <sup>2</sup>	cm	cm	cm	cm	cm	cm	cm	cm	kg	km/h (wind force)
A	AS	M <sup>1</sup>	B	I	E	F	G	M <sup>2</sup>	N	Z	C		
Ø 300	286	6.7	6.6	146...196	61...111	175...225	235...285	167...217	17...103	89...175	60 × 60	90	20(4)
Ø 325	310	6.7	7.8	146...196	48...98	175...225	235...285	167...217	17...103	89...175	60 × 60	90	20(4)
Ø 350	335	6.7	9.0	146...196	36...86	175...225	235...285	167...217	17...103	89...175	60 × 60	120	20(4)
285 × 230	-	6.7	6.6	146...196	36...86	175...225	235...285	167...217	17...103	89...175	60 × 60	90	20(4)

The listed measures represent extrapolated average values that may be slightly different on the product ( $\pm 2\% \pm 5\text{ cm}$ ).

The height dimensions are based on the ground socket PX. With the base variants these vary slightly. With the variants with the ground socket M4 and mounting plate M4 / M8 the stated height dimensions are reduced by 9.5 – 10.5 cm. The max. wind speed limits as per our separate sheet apply only if the sunshade canopy is in a horizontal position and if there is a fix ground anchorage.

In the presence of several sunshades, the minimum distance between one sunshade and another and between sunshades and walls shall be 20 cm.



Your nearest Glatz representative:

