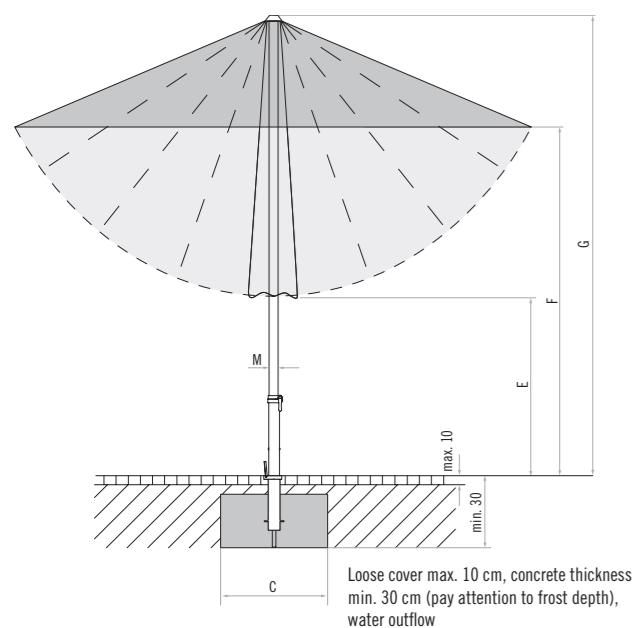


Nominal size	Lateral distance	Pole Ø	Area covered	Height closed	Clear headroom	Total height	Foundation	Recommended minimum weight for base	max. wind speed open perm.
ALU-TWIST									
cm	cm	cm	m²	cm	cm	cm	cm	kg	km/h (wind force)
A	AS	M	B	E	F	G	C		
Ø 270	250	3.9	5.2	110	205	260	50 × 50	40	30 (5)
Ø 300	275	3.9	6.4	105	205	265	60 × 60	40	25 (4)
Ø 330	305	3.9	7.7	95	205	275	60 × 60	55	25 (4)
210 × 150	-	3.9	3.2	105	205	245	50 × 50	40	30 (5)
250 × 200	-	3.9	5.0	85	205	260	50 × 50	40	25 (4)
240 × 240	-	3.9	5.8	75	205	255	50 × 50	40	25 (4)

ALU-PUSH									
cm	cm	cm	m²	cm	cm	cm	cm	kg	km/h (wind force)
A	AS	M	B	E	F	G	C		
Ø 200	175	3.5	2.6	95...145	160...210	210...260	40 × 40	40	35 (5)
Ø 220	205	3.5	3.4	90...140	160...210	215...265	40 × 40	40	30 (5)
Ø 250	230	3.5	4.4	80...130	160...210	215...265	50 × 50	40	25 (4)
Ø 270	250	3.5	5.2	65...115	160...210	215...265	50 × 50	40	25 (4)
210 × 150	-	3.5	3.2	60...110	160...210	200...250	40 × 40	40	30 (5)
250 × 200	-	3.5	5.0	40...90	160...210	215...265	50 × 50	40	25 (4)
200 × 200	-	3.5	4.0	60...100	160...210	210...260	40 × 40	40	30 (5)
240 × 240*	-	3.5	5.8	30...80	160...210	210...260	50 × 50	40	25 (4)

*while stocks last

The listed measures represent extrapolated average values that may be slightly different on the product (± 2 % ± 5 cm). Traditionally, the nominal dimension is calculated by doubling the rod length. For this reason, the nominal dimension can exceed the specified tolerance range. Height dimensions are based on ground socket BT. These vary slightly depending on the type of base. Except for steel base minus 5 cm. The max. wind speed limits as per our separate sheet apply only if the sunshade canopy is in a horizontal position and if there is a fix ground anchorage. In the presence of several sunshades, the minimum distance between one sunshade and another and between sunshades and walls shall be 20 cm.



ALU-TWIST	Order no.
Accessories	
Fixing option Z (support tube Z required)	
• • 40 kg concrete base Z, Ø 60 × 7 cm	350 01 109 529
• • 55 kg concrete base Z, Ø 60 × 9.5 cm	350 01 109 528
• • Granite base Z 40kg, Ø 53 × 7 cm, natural stone	350 01 109 460
• • ***Granite base Z 55kg, 55 × 55 × 9 cm, natural stone, with castors and retractable handle	350 01 109 440
• • Steel base Z 40 kg, 58.5 × 58.5 × 2 cm, galvanised steel	350 01 100 210
• • Add-on weight 30 kg, 57.5 × 57.5 × 1.7 cm, galvanised steel	350 01 100 310
• • Wall bracket Z, 180 mm, galvanised steel	350 01 205 000
• • Support tube Z, Ø 35 / 38 – 39 mm, galvanised steel	350 01 201 010
• • Support tube Z, Ø 35 / 38 – 39 mm, high-grade steel 1.4301 / 304	350 01 201 100
***Base with castors (Weight set required)	
• • Base frame with castors 45kg, 50 × 50 × 12 cm, anthracite, with support tube Ø 35 / 38 - 39 mm, polished aluminium (Base frame ca. 13kg)	350 01 102 300
• • Weight Set, 4 pieces 35001105300, concrete, for base with castors 45kg (Weight Set ca. 32kg)	350 01 103 300
• • Protective cover, for base with castors 45kg	350 01 602 300
• • Base frame with castors 60kg, Ø 61 × 12 cm, anthracite, with support tube Ø 35 / 38 - 39 mm, polished aluminium (Base frame ca. 17kg)	350 01 102 400
• • Weight Set, 4 pieces 35001105400, concrete, for base with castors 60kg (Weight Set ca. 43kg)	350 01 103 400
• • Protective cover for base with castors 60 kg	350 01 602 400
Fixing option BT (support tube BT required)	
• • Ground socket BT, galvanised steel	350 01 206 100
• • Support tube BT Ø 35 / 38 – 39 mm, galvanised steel	350 01 206 210
Different fixing options	
• • Clamp U, Ø 31 – 40 mm, high-grade steel 1.4301 / 304, for horizontal flat railing, square profile up to 120 mm	350 01 252 005
• • Lawn spike Ø 31 – 40 mm, galvanised steel	350 01 205 305
Protective cover, coated polyester fabric	
• • Protective cover with zip and rod	350 01 609 971
Miscellaneous items	
• • Rechargeable battery light Osyrion 6 for pole Ø 30 – 50 mm, battery charger with european plug (type C) included (1 accumulator included)	350 01 557 950
• • Rechargeable battery light Osyrion 4 for pole Ø 30 – 50 mm, battery charger with european plug (type C) included (1 accumulator included)	350 01 557 910
• • Spare accu, 3.6 V, 7500 mAh (for Osyrion 4 & 6)	350 01 557 920

***only suitable for smooth, joint free surface coverings

Your nearest Glatz representative:


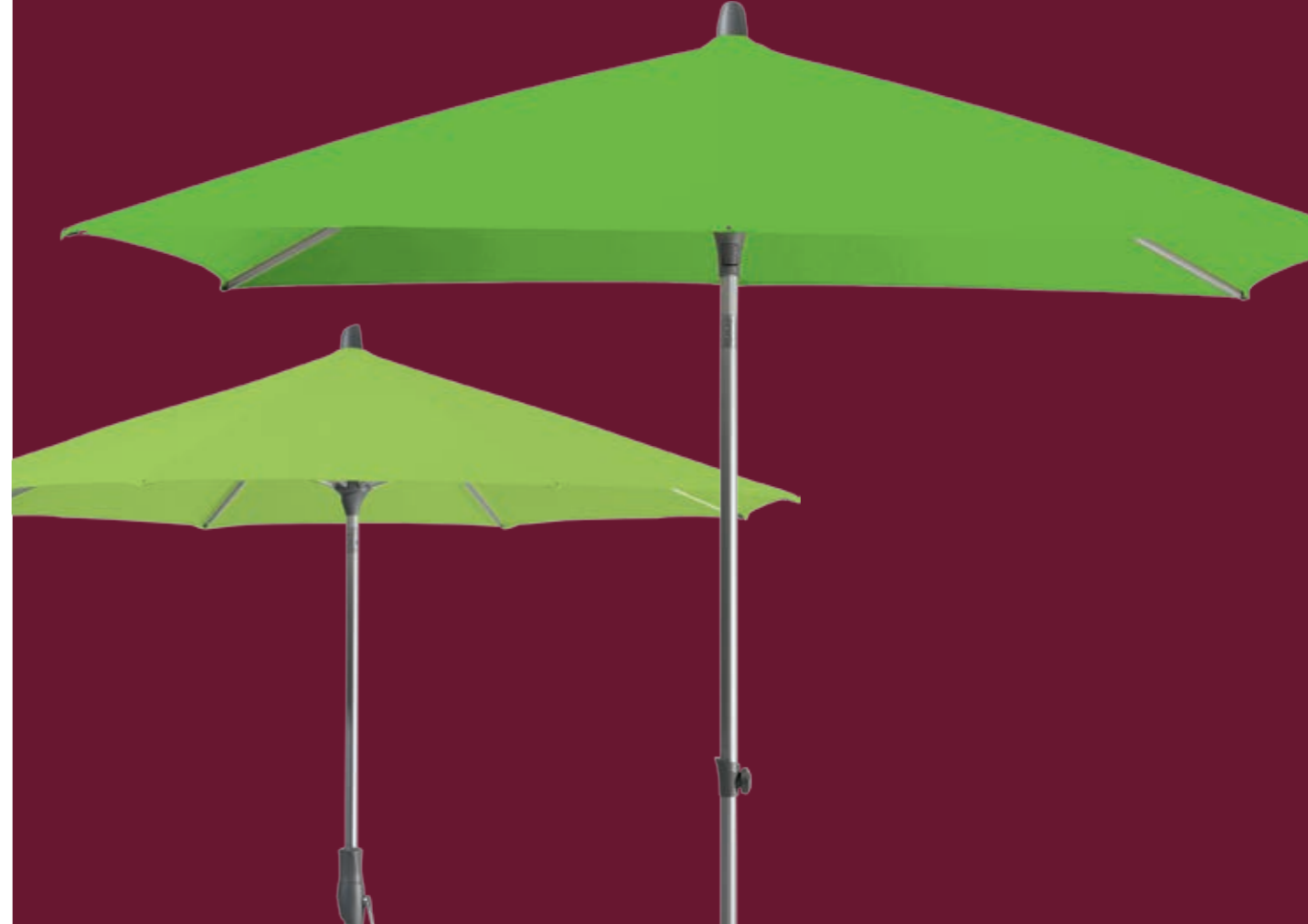
Glatz
Shade in Swiss Quality

www.glatz.ch



ALU-TWIST ALU-PUSH

Product description 2015
INTERNATIONAL

Glatz
Shade in Swiss Quality

ALU-TWIST



Frame: 6 or 8 rods made of aluminium, anodized natural, with a profiled pole – upper pole 38.4 × 1.2 mm – lower pole 39 × 1.5 mm, with crank mechanism for easy opening and “twist” mechanism for stepless tilting.

Frame colour: anodized natural

Frame shape: round, rectangular or square

Shade cover: self-tautening thanks to the flexible rod ends, available in material class 5 (100 % polyacrylic approx. 300 g/m²), material class 4 (100 % polyester approx. 250 g/m²)

Flounce: not available

Protective cover: optional

easy

Shade cover: available in material class 2 (100 % polyester approx. 220 g/m²)



ALU-TWIST, © Int. Design reg.



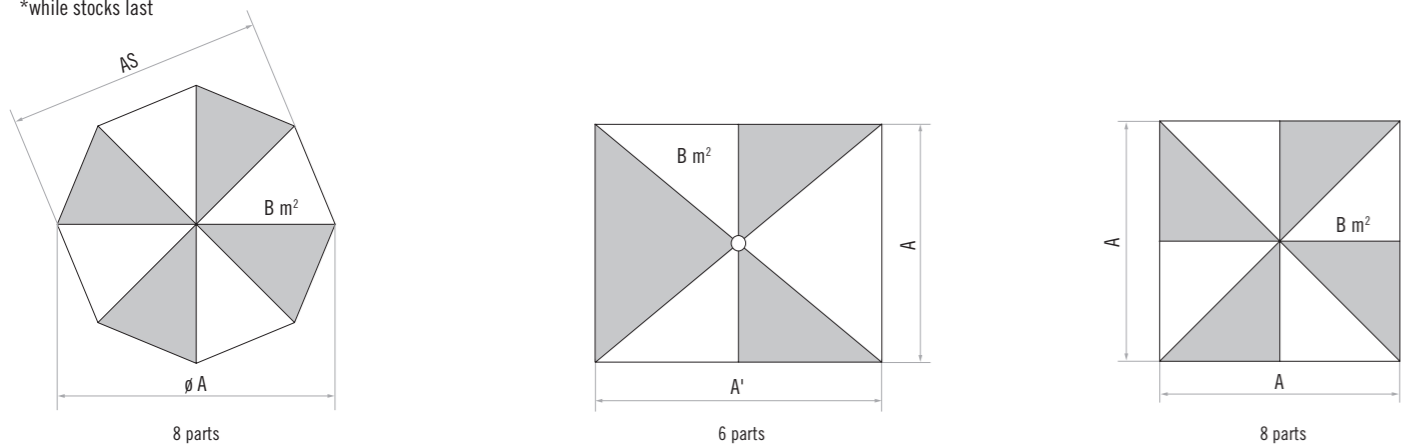
Nominal size ALU-TWIST

Size without flounce	Number of rods	Material class 4	Material class 5	Order no. Frame anodized natural
		Colours 400 – 499	Colours 500 – 699	
cm				
∅ 270	8 parts			204 00 270 171
				204 00 300 171
				204 00 330 171
210 × 150	6 parts			204 00 213 171
				204 00 253 171
240 × 240	8 parts			204 00 241 171

Nominal size ALU-TWIST *easy*

Size without flounce	Number of rods	Material class 2	Order no. Frame anodized natural	
		Colours: 127/142* 146/150/151/155*/162		
cm				
∅ 270	8 parts			204 00 270 171
				204 00 300 171
				204 00 330 171
210 × 150	6 parts			204 00 213 171
				204 00 253 171
240 × 240	8 parts			204 00 241 171

*while stocks last



ALU-PUSH



Frame: 6 or 8 rods made of aluminium, anodized natural, with a profiled pole and stepless height adjustment. Upper pole 38.4 × 1.2 mm – lower pole 35 × 1.5 mm, tilting thanks to the tilt joint.

Frame colour: anodized natural

Frame shape: round, rectangular or square

Shade cover: self-tautening thanks to the flexible rod ends, available in material class 5 (100 % polyacrylic approx. 300 g/m²), material class 4 (100 % polyester approx. 250 g/m²)

Flounce: not available

Protective cover: optional

easy

Shade cover: available in material class 2 (100 % polyester approx. 220 g/m²)



ALU-PUSH, Int. Patents reg. © Int. Design reg.



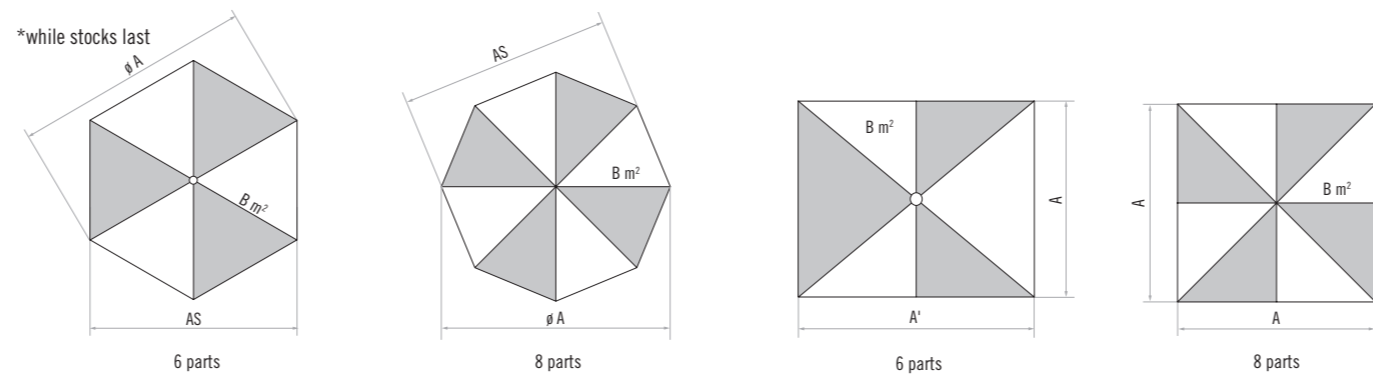
Nominal size ALU-PUSH

Size without flounce	Number of rods	Material class 4	Material class 5	Order no. Frame anodized natural
		Colours 400 – 499	Colours 500 – 699	
cm				
∅ 200	6 parts			203 00 200 171
				203 00 220 171
				203 00 250 171
				203 00 270 171
210 × 150	6 parts			203 00 213 171
				203 00 253 171
200 × 200	8 parts			203 00 201 171
				203 00 241 171

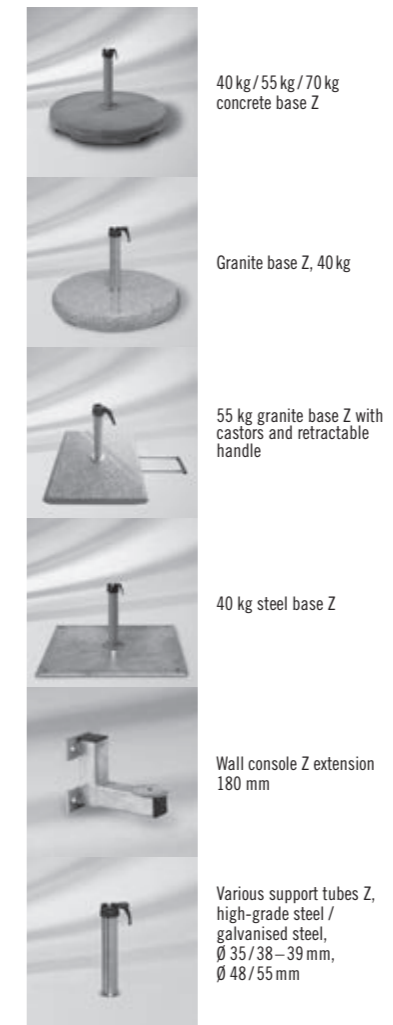
Nominal size ALU-PUSH *easy*

Size without flounce	Number of rods	Material class 2	Order no. Frame anodized natural	
		Colours: 127/142* 146/150/151/155*/162		
cm				
∅ 200	6 parts			203 00 200 171
				203 00 220 171
				203 00 250 171
				203 00 270 171
210 × 150	6 parts			203 00 213 171
				203 00 253 171
200 × 200	8 parts			203 00 201 171
				203 00 241 171

*while stocks last



Fixing option Z (support tube Z required)



40 kg / 55 kg / 70 kg
concrete base Z

Granite base Z, 40 kg

55 kg granite base Z with
castors and retractable
handle

40 kg steel base Z

Wall console Z extension
180 mm

Various support tubes Z,
high-grade steel /
galvanised steel,
∅ 35 / 38 – 39 mm,
∅ 48 / 55 mm

Fixing option BT (support tube BT required)



Ground socket BT,
galvanised steel

Support tube BT,
galvanised steel

Clamp U

Lawn spike
∅ 25 – 38 mm,
∅ 31 – 40 mm

Protective cover, coated polyester fabric



Protective cover with
zip and rod

Miscellaneous items



Osyriion 4 accu light

Osyriion 6 accu light

Base with castors (Weight set required)



Base with castors,
square, 45 kg

Base with castors,
round, 60 kg